

AKIRA
makes life better

Air Conditional Service Manual



Большая библиотека технической документации

<https://splitsystema48.ru/instrukcii-po-ekspluatacii-kondicionerov.html>

каталоги, инструкции, сервисные мануалы, схемы.

Model: AC-FR50CK

CONTENTS

SPECIFICATIONS.....	4
EXPLODED VIEW & PART LIST.....	6
CIRCUIT DIAGRAM.....	10

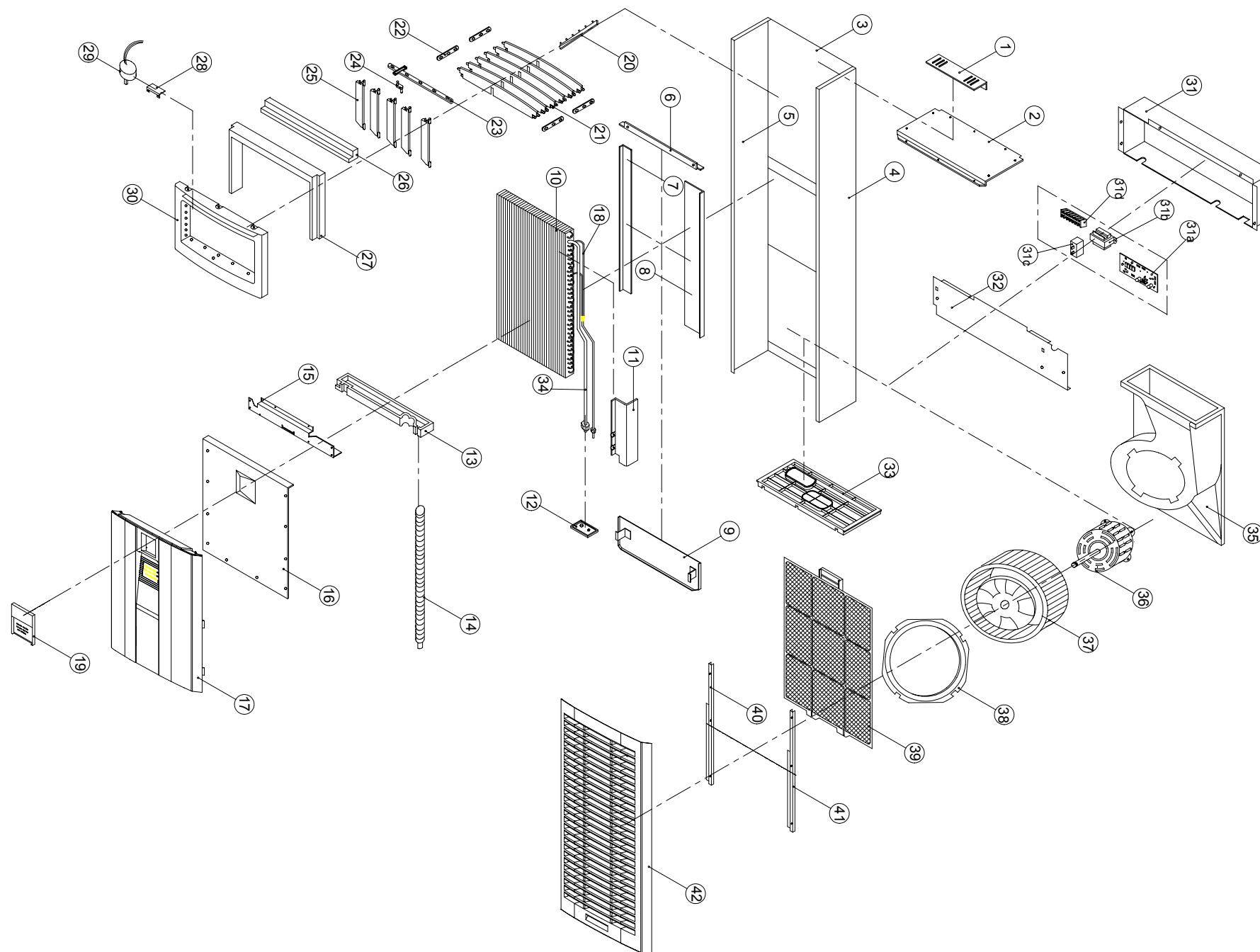
SPECIFICATION

Description			Details
Type			Floor standing (cooling only)
Cooling Capacity (Btu/h)			41000
Heating Capacity (Btu/h)			N.A
Rated Input (w)	Cooling		4480
	Heating		N.A
PTC Heater Power (W)			N.A
Moisture Removal (L/H.r)			5.0
Air Circulation (CMH Max)			1700
EER for Cooling (Btu/h.w)			9.2
COP for Heating (w/w)			N.A
Volt /Phase /Hz			380V/3P/50Hz
Rated Current (A)	Cooling		9.7
	Heating		N.A
	PTC Heater		N.A
LRA (A)			55
Noise Level (dB (A))	Indoor Unit	High	54
		Low	44
	Outdoor Unit		64
System			
Refrigerant (g)			R22
Compressor type			Scroll
Compressor Model No.			C-SB353H8A
Compressor MFG			Sanyo
Expansion Device			Capillary
Evaporator			Copper and Aluminum Fin
Condenser			Copper and Aluminum Fin
Features			
LCD Wireless Remote Controller			No
LCD Display			Yes
Washable Filter			Yes
24 Hours Timer			Yes
3 Speed Control			Yes
Vertical Auto Swing Louver			Yes
Horizontal Auto Swing Louver			No

Description		Details
Sleep Operation		No
Smart Function		Yes
Jet Function		Yes
Electronic Lock		Yes
Auto Restart		Yes
PTC Heater		No
Other		
Dimensions WxHxD (mm)	Indoor Unit	540x1765x375
	Outdoor Unit	890x793x414
Net Weight (Kg)	Indoor Unit	55
	Outdoor Unit	85
Packing Dimensions WxHxD (mm)	Indoor Unit	660x1890x530
	Outdoor Unit	1050x910x500
Gross Weight (Kg)	Indoor Unit	70
	Outdoor Unit	97
Loading Capacity (40'/40' HC)		48/54
Approvals		CCEE

EXPLOSIVE VIEW AND PART LIST

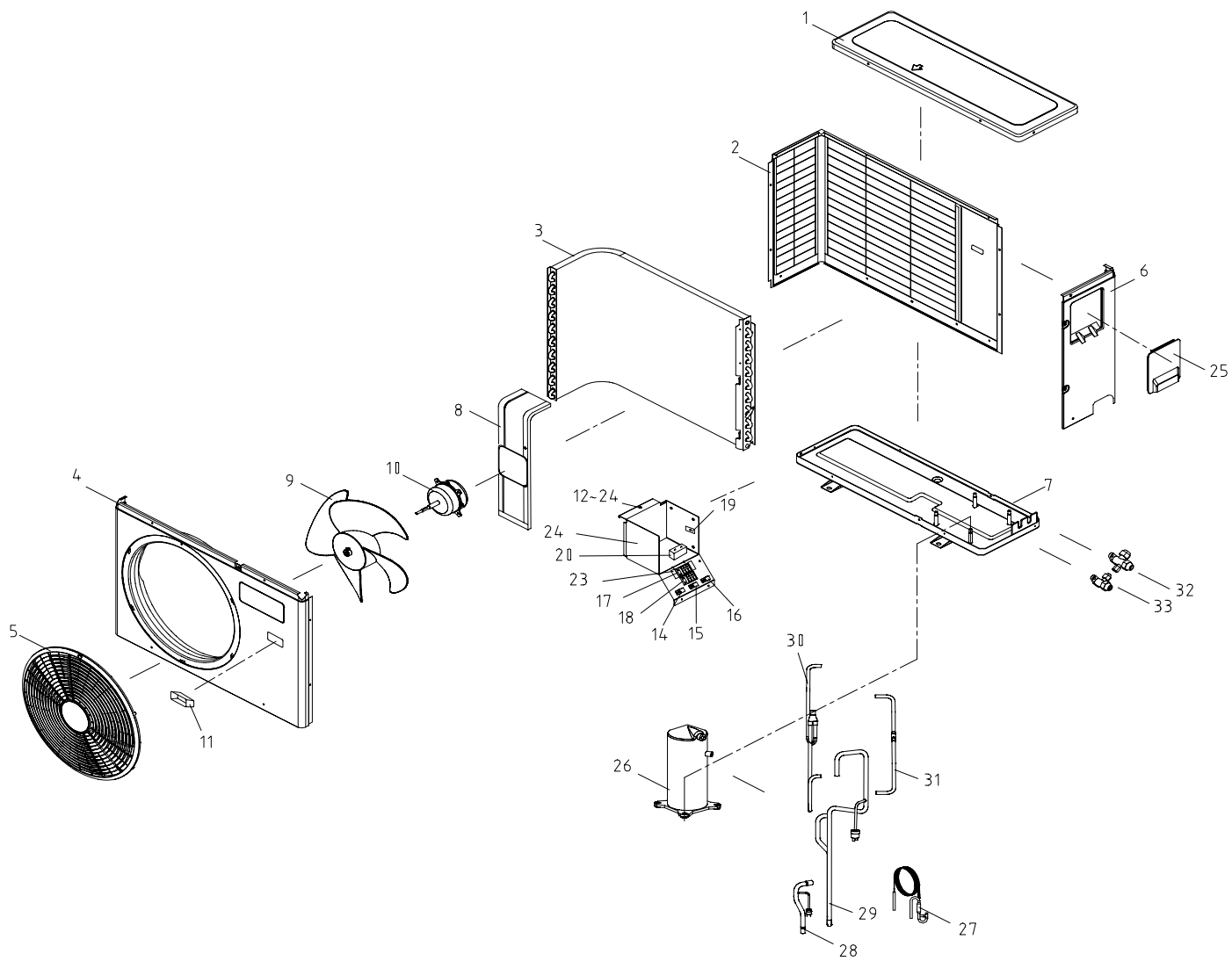
INDOOR UNIT



INDOOR UNIT

No.	DESCRIPTION	Part No.
1	Upper installation shelf	12033011
2	Topmost cover	1105395
3	Rear cover	11063008
4	Right side cover	8100310
5	Left side cover	810039
6	Evaporator topmost installation plate	12033017
7	Evaporator left installation plate	12033031
8	Evaporator right installation plate	12033032
9	Evaporator support	1102223
10	Evaporator	1301391
11	Evaporator baffle	10083002
12	Containing water rubber bowl	21063002
13	condensate plate assembly	2106103
14	Drain hose	210995
15	Middle support	100851
16	Adiabatic board	16053005
17	Front panel	1006545
18	Capillary assembly	81303481
19	Controller assembly	8140143
20	Mid pitman	12013019
21	Horizontal vane	1201378
22	Side pitman	12013018
23	Transverse pitman	12013022
24	rocker	12013006
25	Vertical vane	12013020
26	Air outlet bottom foam	1107552
27	Air outlet side foam	1107551
28	Synchronous motor retainer	11023011
29	Synchronous motor A	14023037
30	Air outlet	1201377
31	Electrical box	10053004
31a	Pc board	1409523
31b	Terminal 5PUA	141093
31c	Fan motor capacitor	14113058
31d	Transformer	140561
32	Electrical box cover	11053001
33	Base	1002162
34	Evaporator deferent pipe	8130393
35	Volute	1007132
36	Fan motor	1402280
37	Centrifugal fan	14023032
38	Air inpour annulus	24093009
39	Air filter	12043006
40	Filter left retainer	11023012
41	Filter right retainer	11023013
42	Nether panel	1006547

OUTDOOR UNIT

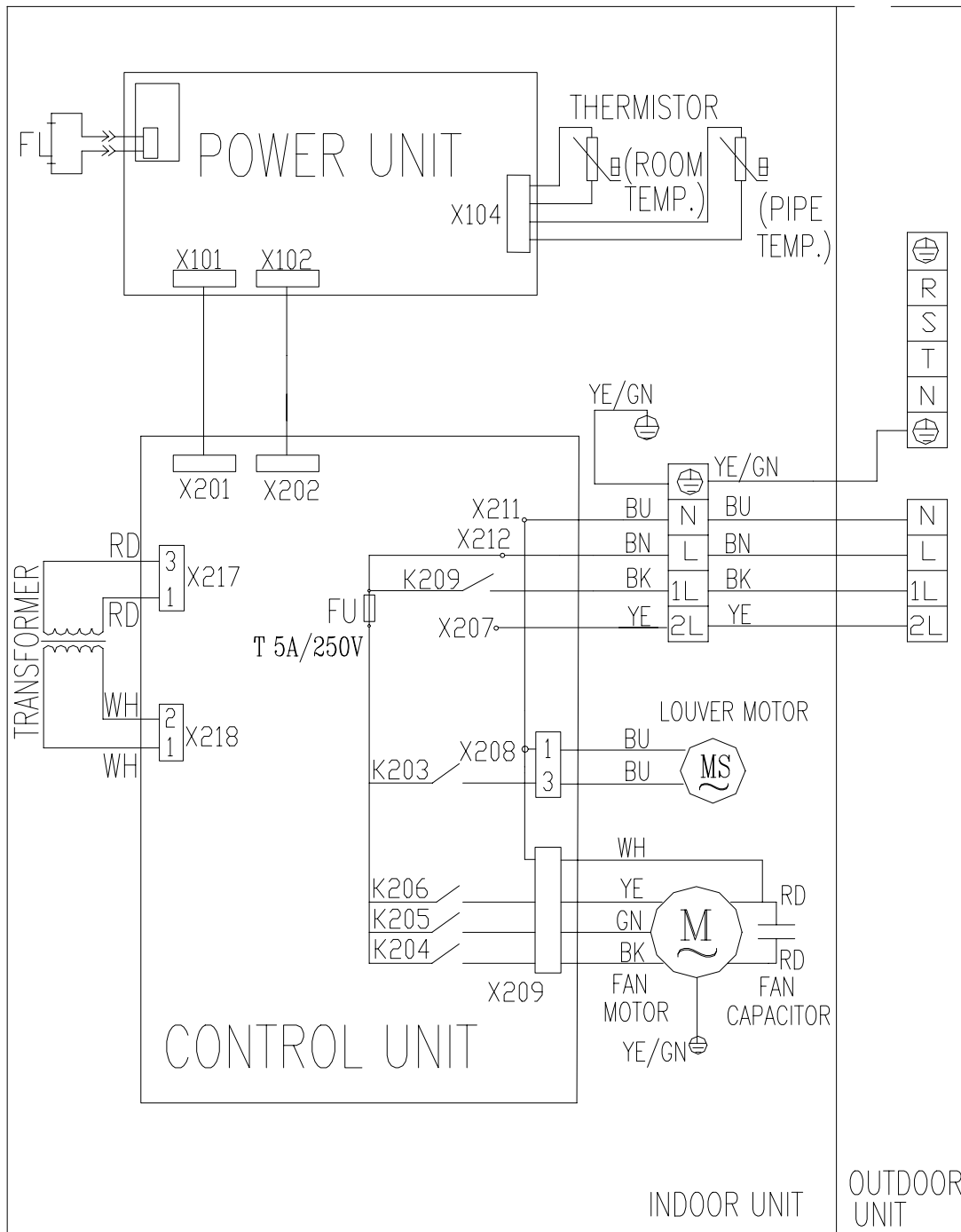


Все каталоги и инструкции здесь: <https://splitssystema48.ru/instrukcii-po-ekspluatatsii-kondicionerov.html>

OUTDOOR UNIT

No.	DESCRIPTION	Part No.
1	Upper cover	21093056
2	Rear cover	21093059
3	Condenser	8130264
4	Front cover	21093062
5	Fan guard	21093069
6	Right side cover	21093058
7	Base	8100228
8	Motor support	11093021
9	Propeller fan	14023031
10	Fan motor	814025
11	Gripe	21093063
12	Electrical assembly	81401132
13	Phase sequence board	14093015
14	Clamp	12033012
15	Clamp	1203400
16	Clamp	1203398
17	Terminal 6P1	150257(A)
18	Terminal 4P4	150284
19	Terminal 2U	150217(A)
20	Fan capacitor	14113057
21	AC contactor	1411865
22	Compressor power supplying wiring	8150121
23	Wire fixer	11093016
24	Electrical box	821023
25	Terminal cover	21093063
26	Compressor (Dalian Sanyo)	1304320
27	Capillary assembly	81303481
28	Suction pipe	81303490
29	Vent-pipe	81303488
30	Branching pipe	81303492
31	Collected pipe	81303495
32	3-way valve 19a	8130923
33	2-way valve 10	8130918

CIRCUIT DIAGRAM





Большая библиотека технической документации

<https://splitsystema48.ru/instrukcii-po-ekspluatacii-kondicionerov.html>

каталоги, инструкции, сервисные мануалы, схемы.